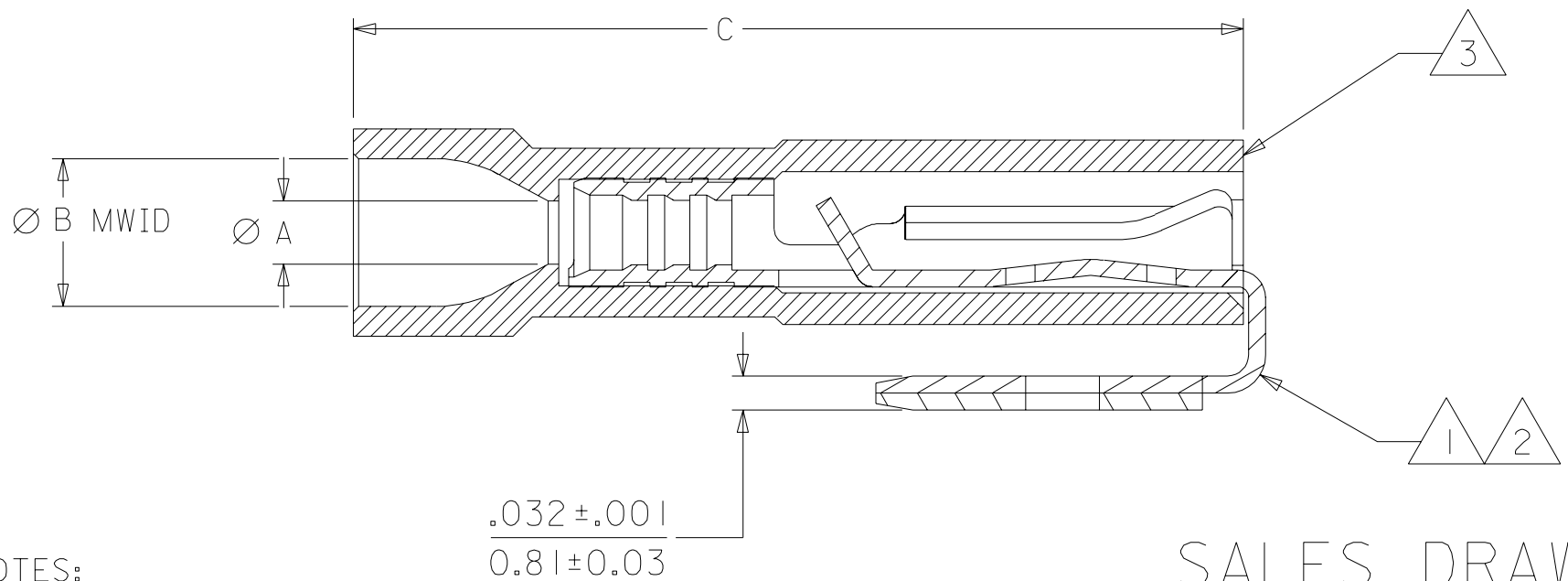
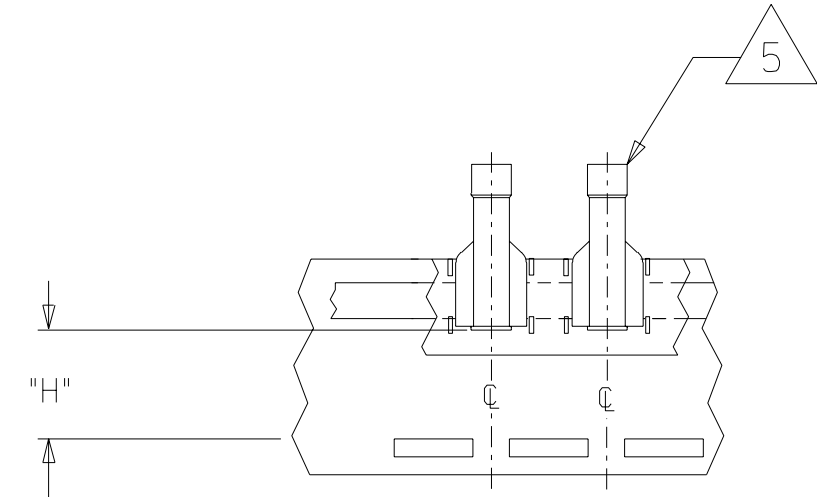
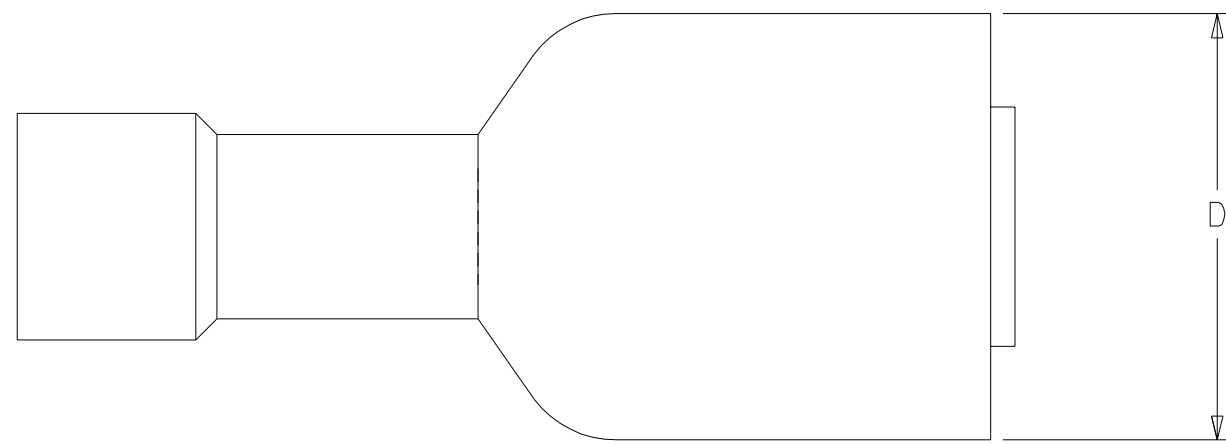


MATERIAL NUMBER	ENGINEERING NUMBER	MATERIAL NUMBER	ENGINEERING TAPE NUMBER	WIRE SIZE	INSULATION COLOR	A MAX	B MWID	C	D	H
190130001	AA-2317	190130002	AA-2317T	22-18 AWG	RED	.062/(1.57)	.140/(3.56)	.85/(21.6)	.37/(9.4)	.540/13.7
190130005	BB-2318	190130006	BB-2318T	16-14 AWG	BLUE	.087/(2.21)	.165/(4.19)	.85/(21.6)	.37/(9.4)	.540/13.7
190130018	C-2319	190130016	C-2319T	12-10 AWG	YELLOW	.155/(3.94)	.280/(7.11)	1.02/(25.9)	.36/(9.1)	.565/14.5



- NOTES:
- 1. TERMINAL MATERIAL: BRASS
 - 2. TERMINAL FINISH: ELECTRO-TIN
 - 3. INSULATION: NYLON
 - 4. MWID = MAXIMUM WIRE INSULATION DIAMETER
 - 5. MOUNTED WITH BARE TAB TO TAPE.

SALES DRAWING

WAS CD-2909
 EC NO. ETC2003-0225
 DRWN: BRE 03/04/03
 CHK: HEB 03/04/03
 APPR: RWD 03/04/03

QUALITY SYMBOLS	GENERAL TOLERANCES: (UNLESS SPECIFIED)	
	mm	INCH
MAJOR = 0	4 PLACES ±0.	±.
CRITICAL = 0	3 PLACES ±0.	±.005
	2 PLACES ±0.13	±.01
	1 PLACE ±0.25	±.
ANGULAR: ±1/2°		
DRAFT WHERE APPLICABLE MUST REMAIN WITHIN DIMENSIONS		

SCALE NO: NE	DESIGN UNITS <input type="checkbox"/> mm <input checked="" type="checkbox"/> INCH
DRAWN BY & DATE BRE 03/03/19	
CHECKED BY & DATE HEB 03/03/19	
APPROVED BY & DATE RWD 03/03/19	
CAD FILENAME SD-19013-001 .DGN	

DIMENSIONS: <input type="checkbox"/> mm <input checked="" type="checkbox"/> INCH <input type="checkbox"/> mm ONLY		SHT	REV
THIRD ANGLE PROJECTION		REVISE ON CAD ONLY	
TITLE: INSULKRIMP FIQD PIGGYBACK .250 X .032 TAB SIZE			
MOLEX INCORPORATED			
MATERIAL NO. SEE CHART	DRAWING NO. SD-19013-001	SHEET NO.	
THIS DRAWING CONTAINS INFORMATION THAT IS PROPRIETARY TO MOLEX INCORPORATED AND SHOULD NOT BE USED WITHOUT WRITTEN PERMISSION.			SIZE B